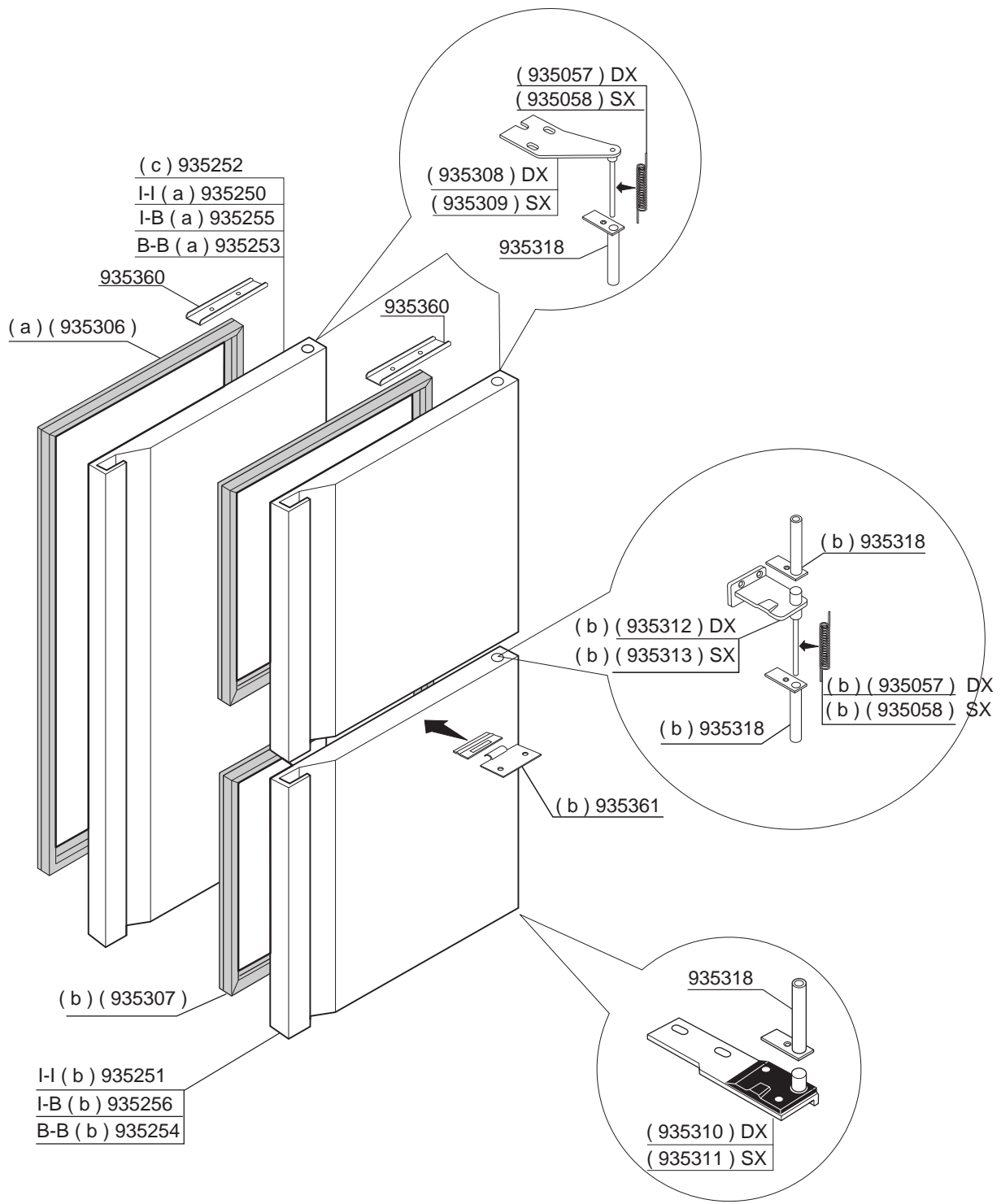


ARMADIO GN 2/1 - GN 2/1 RIDOTTO
REFRIGERATING CABINET GN 2/1 - GN 2/1 REDUCED

RIF. REF. Da matricola n_i
From serial n_i

a ARMADIO CON PORTA INTERNA - FULL DOOR REFRIGERATING CABINET
b ARMADIO CON PORTA MEZZA - HALF DOOR REFRIGERATING CABINET
c ARMADIO CON SERVIZIO ITTICO - CABINET FOR FISH-SHOPS

930302/113

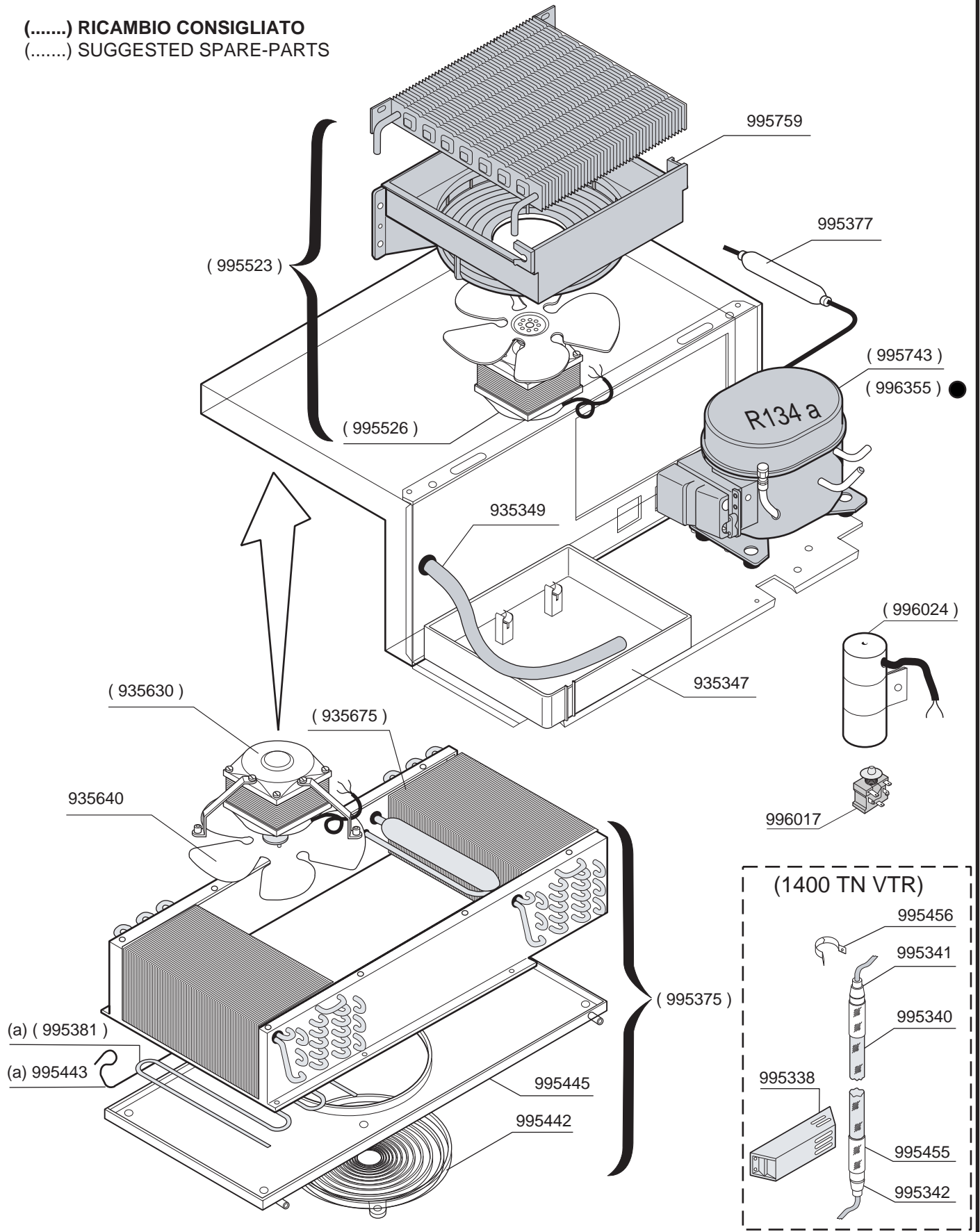


(I) = INOX - STAINLESS/STEEL
 (B) = BIANCO - WHITE

(.....) RICAMBIO CONSIGLIATO
(.....) SUGGESTED SPARE-PARTS

PORTE CIECHE SOLID DOORS		RIF. REF.	Da matricola n° From serial n°
a	PORTA INTERA FULL DOOR		930302/113
b	PORTA MEZZA HALF DOOR		
c	PORTA INTERA PASTICCERIA PROFONDITA' 700 - FULL DOOR CONFECTIONERY DEPTH 700		
friulinox 33083 TAIEDO DI CHIONS PORDENONE - ITALY		RIPRODUZIONE, ANCHE PARZIALE, VIETATA	
			ESP1001-(11)

(.....) RICAMBIO CONSIGLIATO
 (.....) SUGGESTED SPARE-PARTS

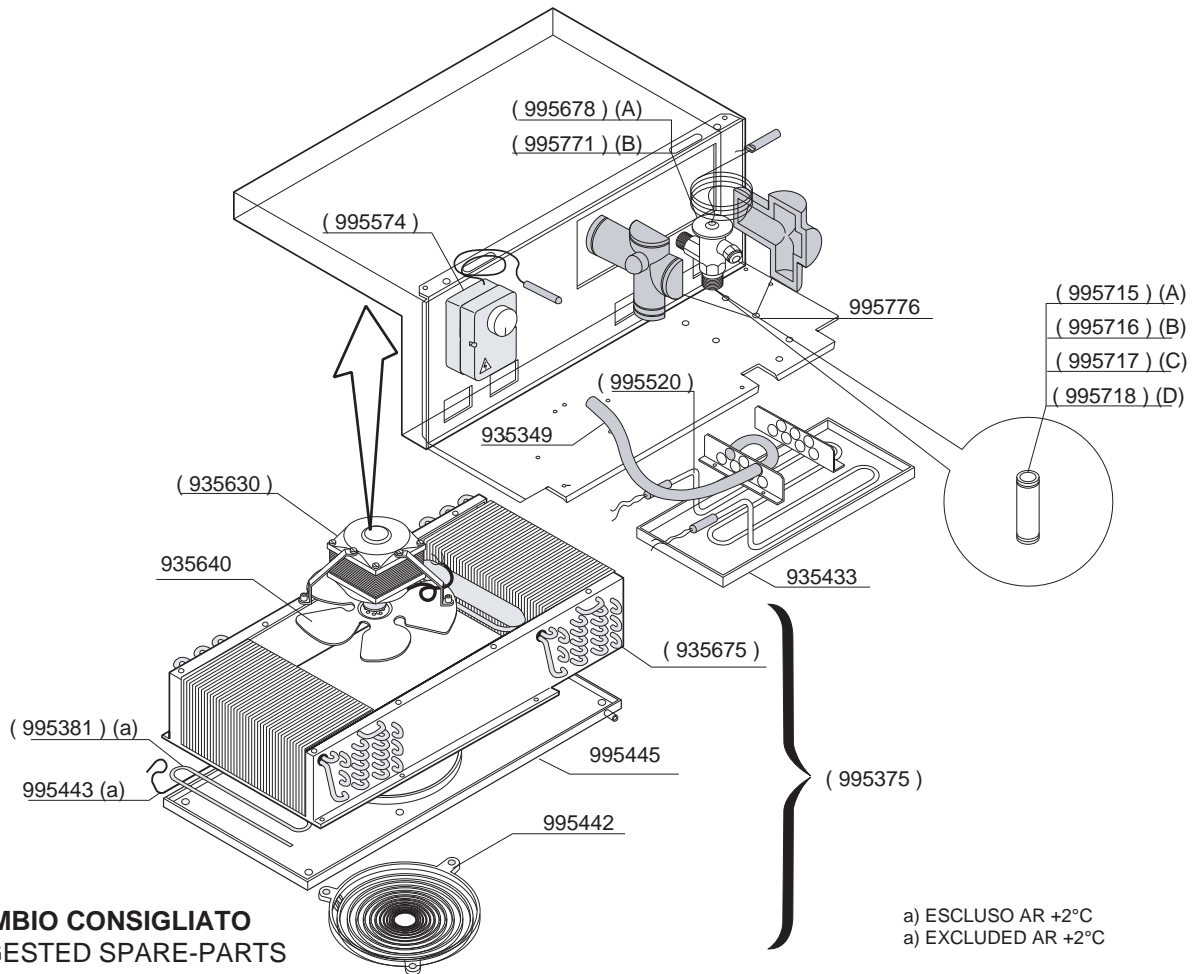


IMPIANTO FRIGO "1400 TN" / "1400 TN VTR" / "1400 ITTICO"
 REFRIGERATED UNIT "1400 NT" / "1400 NT VTR" / "1400 FISH"

RIF. REF. Da matricola n°
 From serial n°

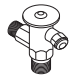



a ARMADIO REFRIGERATO (-2/+8°C) REFRIGERATED CABINET (-2/+8°C)

R 134a 961014/110
 ● 20060306000001

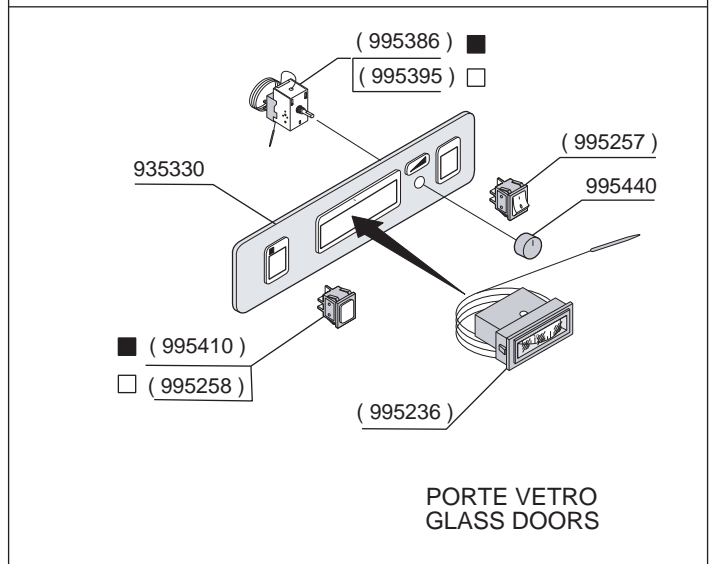
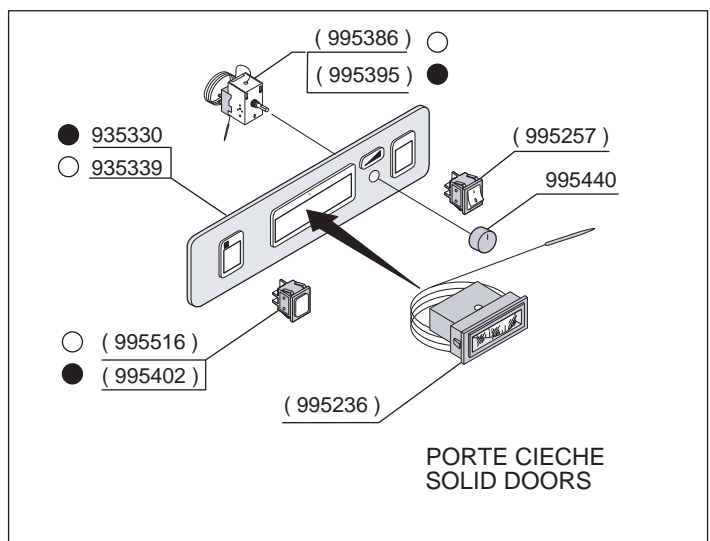
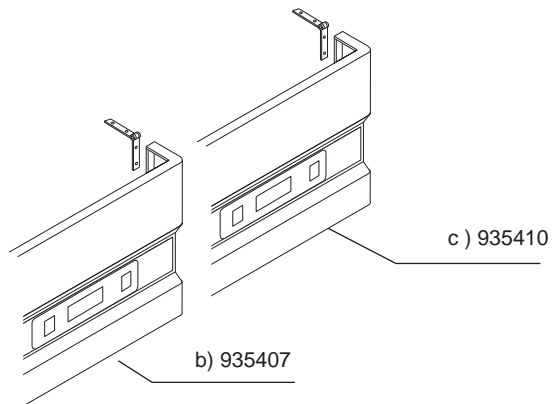
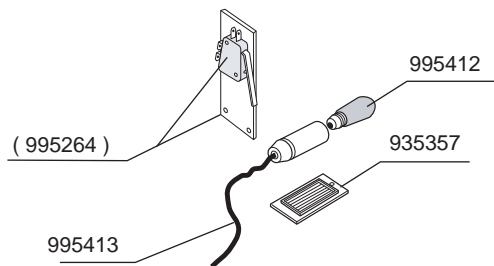
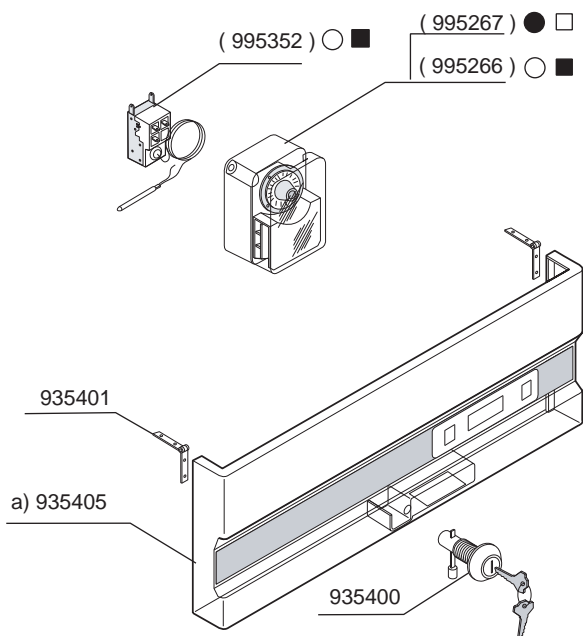


ARMADI 1 TEMPERATURA
ONE TEMPERAT.CABINETS

ARMADI 2 TEMPERATURE
TWO TEMPERAT.CABINETS

								
AR12 +2	A	A	ARR212	① A	A			
AR12 -2	A	A		② /	/			
AR12 PA	A	A	ARP212	① A	A			
AR12 +2 VTR	A	A		② /	/			
AR12 -2 VTR	A	A	ARF212	① A	A			
AF12 -20	B	B		② /	/			
AF12 PA	B	B	ARP211	① A	A			
AR12 -20VTR	B	C		② /	/			
AR14 +2	A	A	ARF211	① A	A			
AR14 -2	A	A		② /	/			
AR14 +2 VTR	A	A	ARR212 VTR	① A	A			
AR14 -2 VTR	A	A		② /	/			
AR14 PIZ	A	A	ARF VTR	① A	A			
AR14 S/V	A	A		② /	/			
AR14 PA	A	A						
AP14 -4	A	A						
AE14	A	A						
AF14	B	B						
AR21 +2 VTR	A	B						
AR21 -2 VTR	A	B						
AR21 S/V	A	B						
AP21 -4	A	B						
AE21	A	D						
AR21 +2	A	B						
AR21 -2	A	B						

UNITA' EVAPORATRICE ARMADI PREDISPOSTI EVAPORATING UNIT OF REMOTE CONTROLLED REFR. CABINETS	RIF. REF.	Da matricola n From serial n
	R134a R404A	951016/111



(.....) **RICAMBIO CONSIGLIATO**
 (.....) **SUGGESTED SPARE-PARTS**

- a) AR 600/AR700
- b) AR 1200/AR 1400
- c) AR 2100

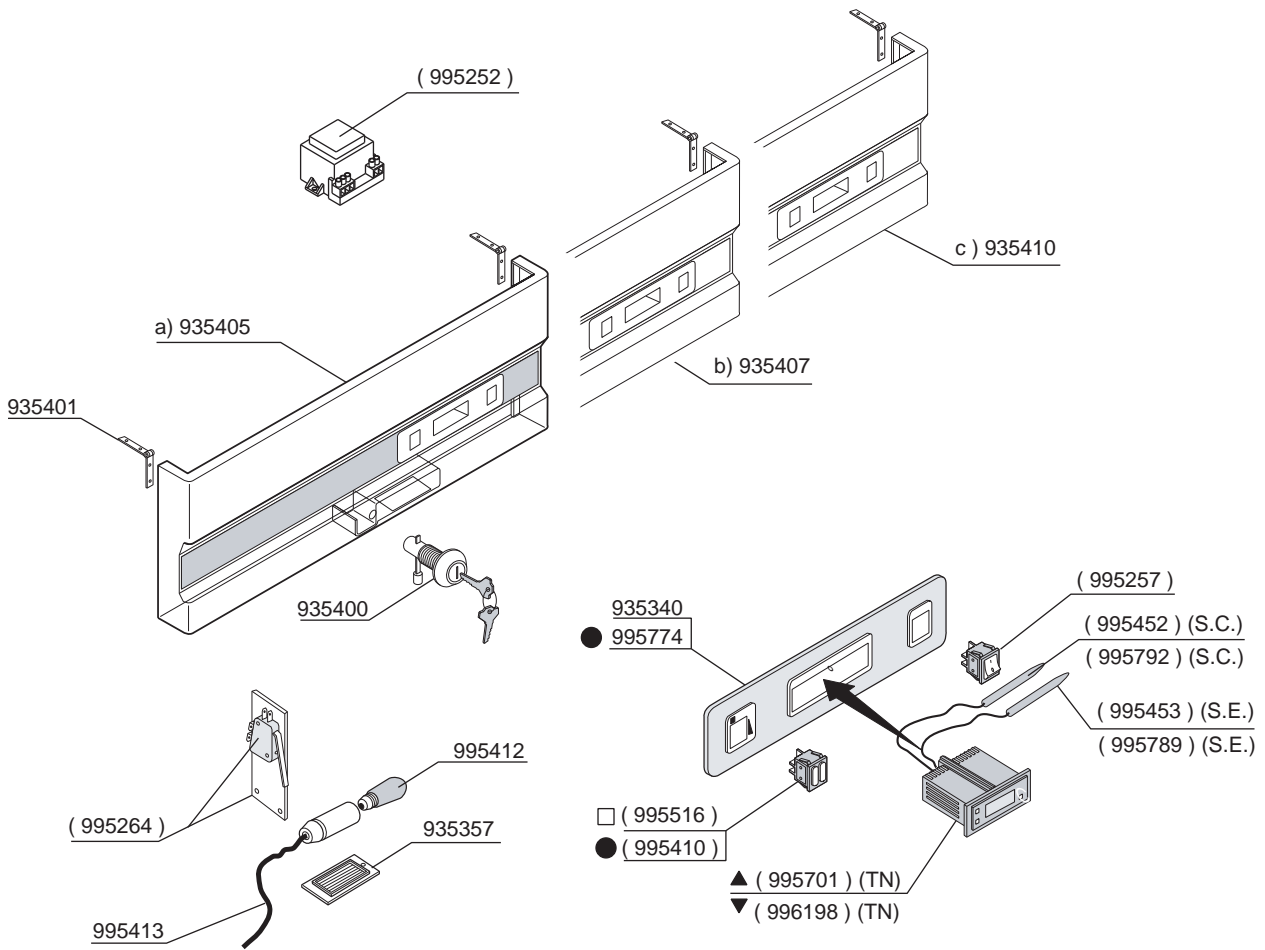
PANNELLO COMANDI ARMADIO "TN"MECCANICO
CONTROL PANNEL FOR "NT" MECH.REFRIGERATED CABINET

RIF.
REF.

Da matricola n°
From serial n°

- ARMADIO REFRIGERATO PORTE CIECHE (+2/+8 C) REFRIGERATED CABINET BLIND DOORS (+2/+8 °C)
- ARMADIO REFRIGERATO PORTE CIECHE (-2/+8 C) REFRIGERATED CABINET BLIND DOORS (-2/+8 °C)
- ARMADIO REFRIGERATO PORTE VETRO (-2/+8 C) REFRIGERATED CABINET GLASS DOORS (-2/+8 °C)
- ARMADIO REFRIGERATO PORTE VETRO (+2/+8 C) REFRIGERATER CABINET GLASS DOORS (+2/+8 °C)

930302/113



- a) AR 600/AR700
 b) AR 1200/AR 1400
 c) AR 2100

- ▲ S.E - SONDA EVAPORATORE (ROSSA) - EVAPORATOR PROBE (RED)
 S.C. - SONDA CELLA (GRIGIA) - CELL PROBE (GREY)
 ▼ S.E - SONDA EVAPORATORE (BLACK - DEF) - EVAPORATOR PROBE (BLACK-DEF)
 S.C. - SONDA CELLA (NERA - THERM) - CELL PROBE (BLACK-THERM)

(.....) RICAMBIO CONSIGLIATO
 (.....) SUGGESTED SPARE-PARTS

PANNELLO COMANDI ARMADIO "TN -2"/ ARMADIO "TN -2" VTR ELETTRONICO CONTROL PANEL FOR ELECT."NT REFR.CABINET -2"/"NT REFR.CABINET -2 GLASS DOOR"		RIF. REF.	Da matricola n° From serial n°
●	PORTE VETRO GLASS DOORS	EWPC	950904/113
□	PORTE CIECHE SOLID DOORS	▲	20030530000099
		▼	20030603000001
friulinox 33083 TAIEDO DI CHIONS PORDENONE - ITALY		RIPRODUZIONE, ANCHE PARZIALE, VIETATA ESP1001-(151)	

